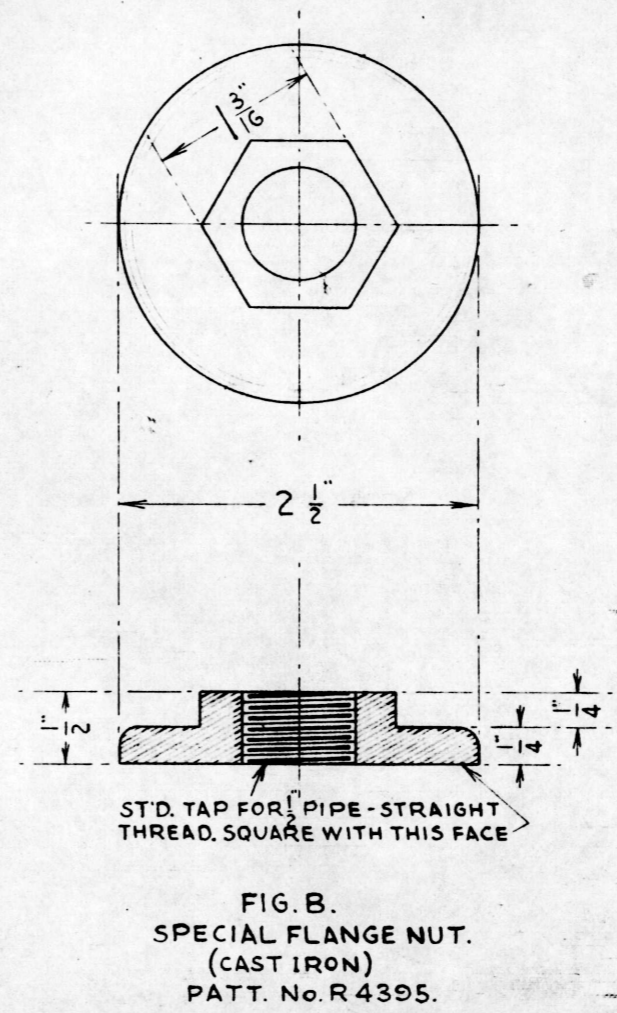
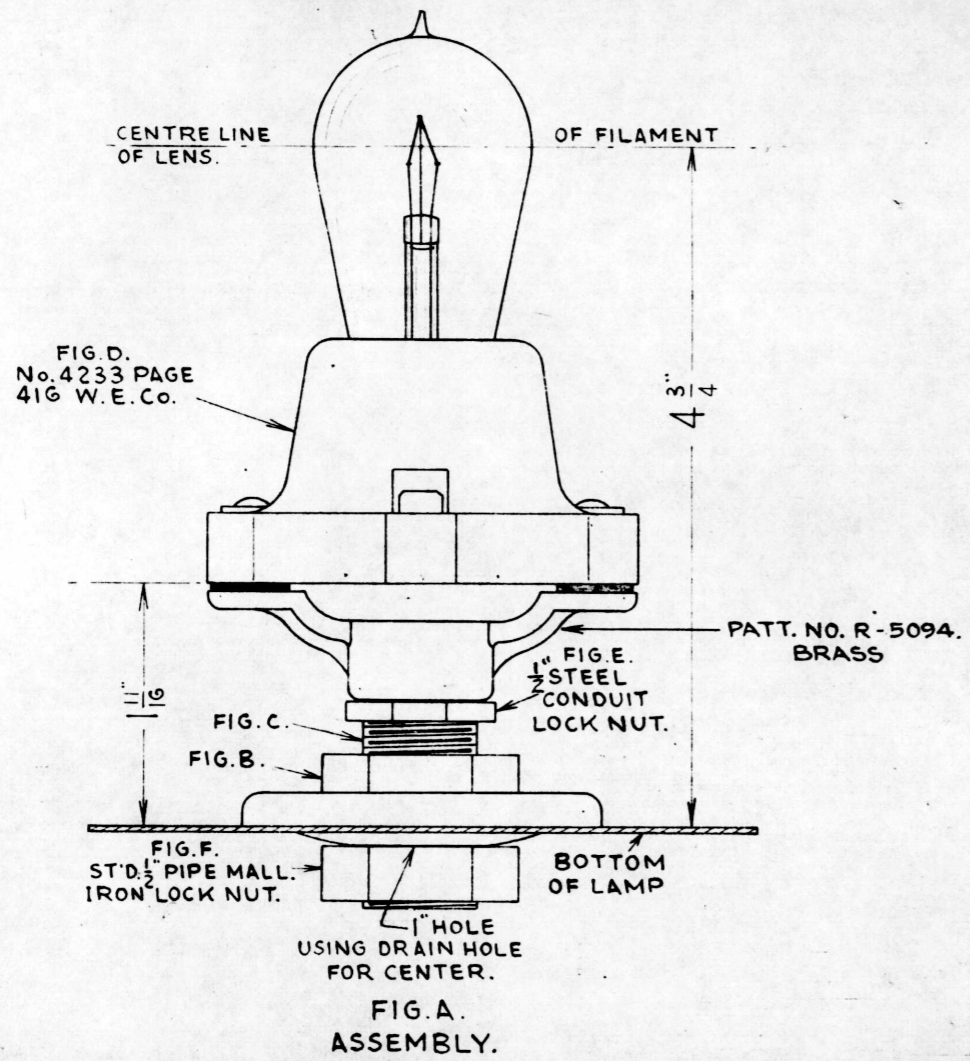


C

**G. N. RY.**  
**PLAN OF STANDARD**  
**ELECTRIC LAMP ADAPTER**

OFFICE OF SIGNAL ENGINEER ST. PAUL, MINN.  
 SCALE  $\frac{3}{4} = 1$  IN. FEB. 1912.



$\frac{1}{2}$ " STD. LOCK NUT PIPE THREAD (STRAIGHT) CLOSE RUNNING FIT IN NUT FIG. B.

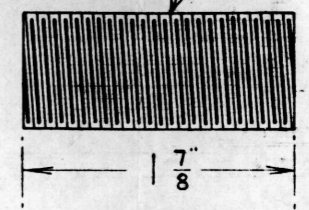


FIG. C. SPL.  $\frac{1}{2}$ " PIPE NIPPLE.

- BILL OF MATERIAL -

| QTY. | ARTICLE.  |
|------|---|
| 1    | No. 4233 PAGE 416 W.E.Co. FIG. D.                       |
| 1    | CONDUIT STEEL LOCK NUT. FIG. E. ( $\frac{1}{2}$ )       |
| 1    | SPL. $\frac{1}{2}$ " PIPE NIPPLE. FIG. C.               |
| 1    | SPECIAL FLANGE NUT. FIG. B.                             |
| 1    | ST'D. $\frac{1}{2}$ " PIPE MALL. IRON LOCK NUT. FIG. F. |

DRAWN BY *RE*  
 CHECKED BY *MS*  
 APPROVED *MS*  
 FEB. 15, 12.  
 167-127