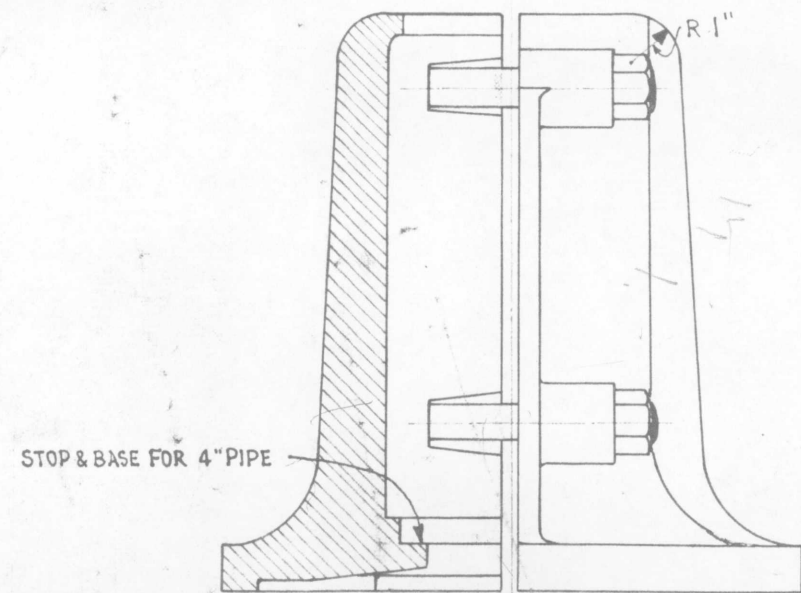
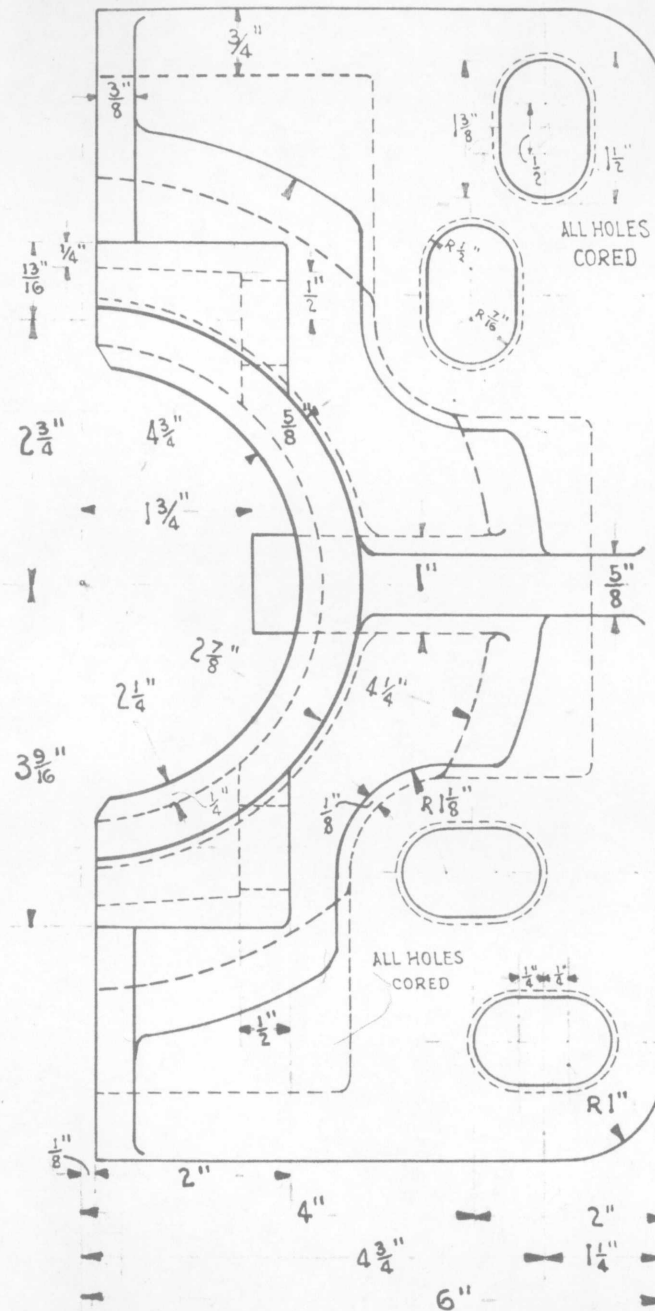


ASSEMBLY
FIG. A

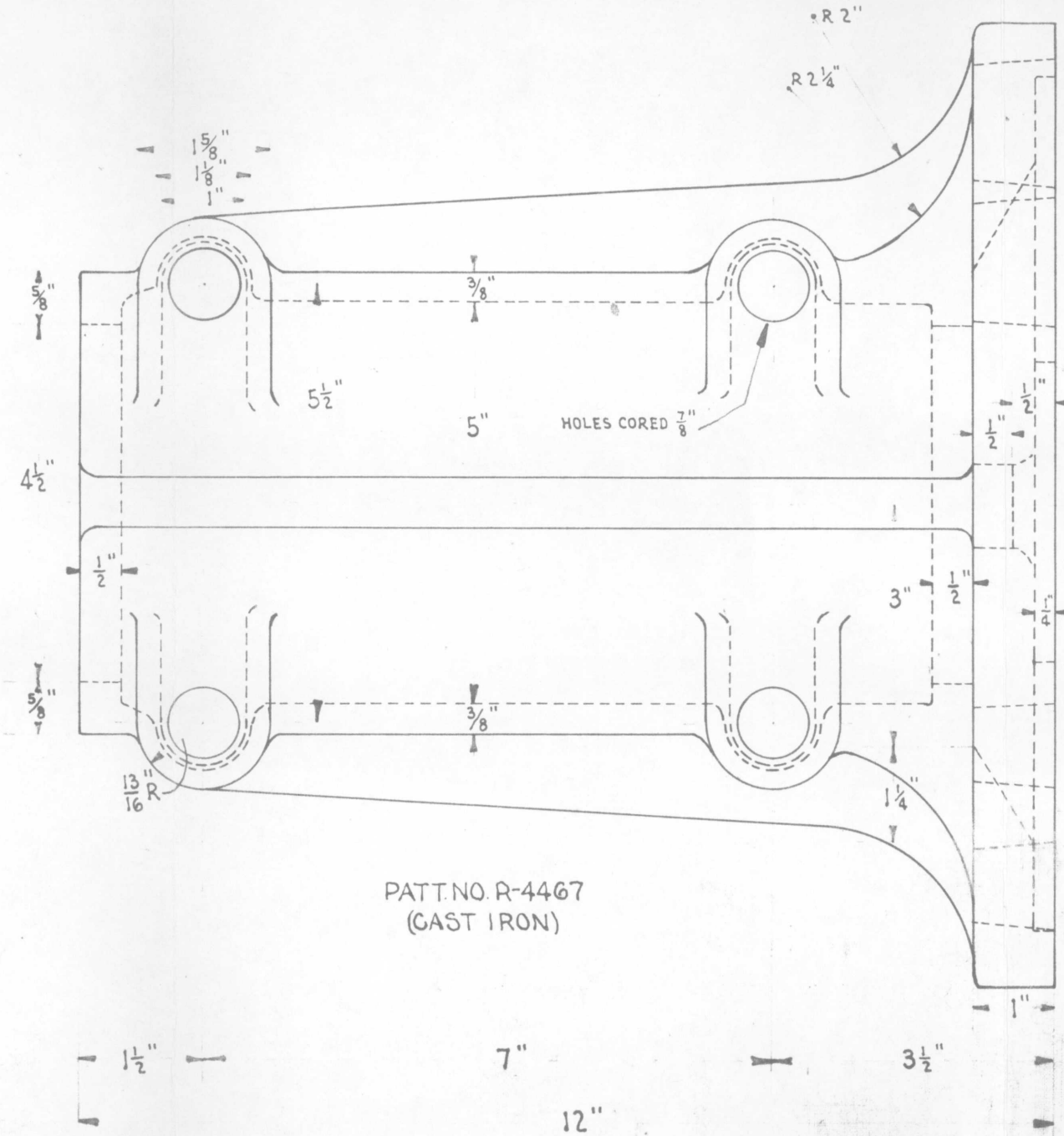


ASSEMBLY
SHOWING SECTION X-X.



6" 9 1/2"

12"



G. N. RY.
PLAN OF STANDARD
BASE FOR 4 IN MAST
OFFICE OF SIGNAL ENGINEER T. PAUL MINN.
SCALE VARIOUS APR. 1923

BILL OF MATERIAL. FIG. A	
2	HALF BASES AS PER THIS PLAN.
4	ST'D. 3/4" x 5" SQ. HD. BOLTS WITH HEX. NUTS.

DRAWN BY BB
CHECKED BY CBC
APPROVED BY SP
SIGNAL ENGINEER
APRIL 17, 1923.

167-133