

A

G. N. RY.
 PLAN OF STANDARD
 STOP SIGNAL MARKER
 AND
 PERMISSIVE MARKER

OFFICE OF SUPT. OF SIGNALS ST. PAUL, MINN.

SCALE $\frac{3}{16}$ " = 1" IN.

JAN. 1929

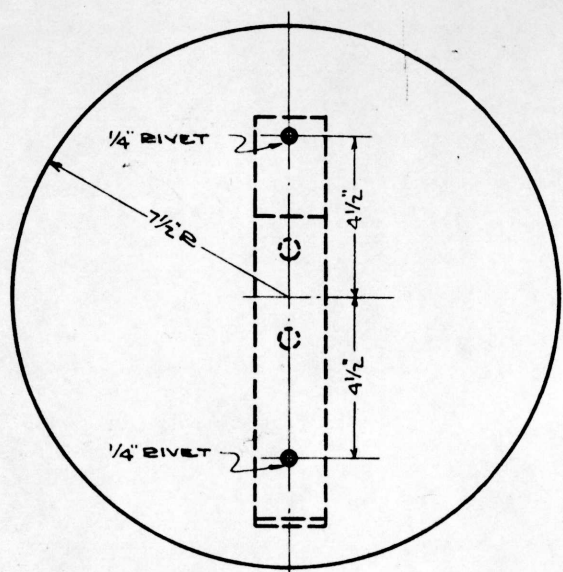


FIG. A - STOP SIGNAL MARKER
 NO 16 GAGE SHEET METAL
 (PAINT FACE VERMILLION ENAMEL)
 (PAINT BACK + BRACKET BLACK)

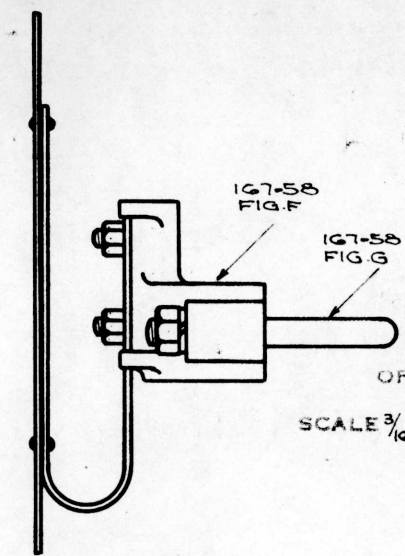


FIG. C - ASSEMBLY

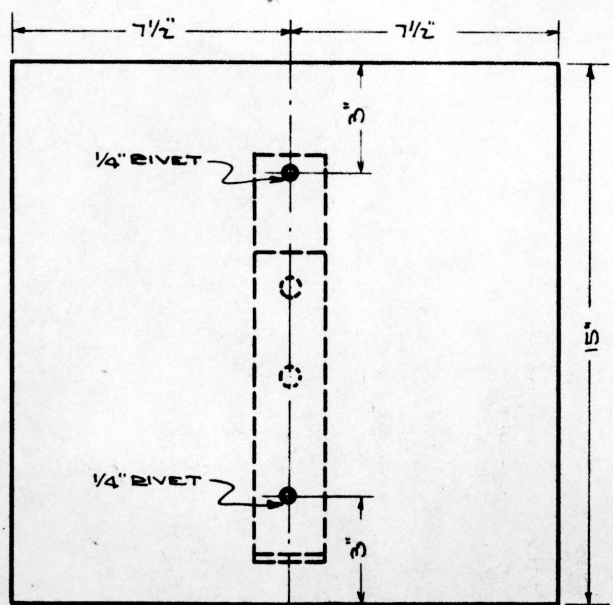


FIG. B - PERMISSIVE MARKER
 NO 16 GAGE SHEET METAL
 (PAINT FACE YELLOW ENAMEL)
 (PAINT BACK + BRACKET BLACK)

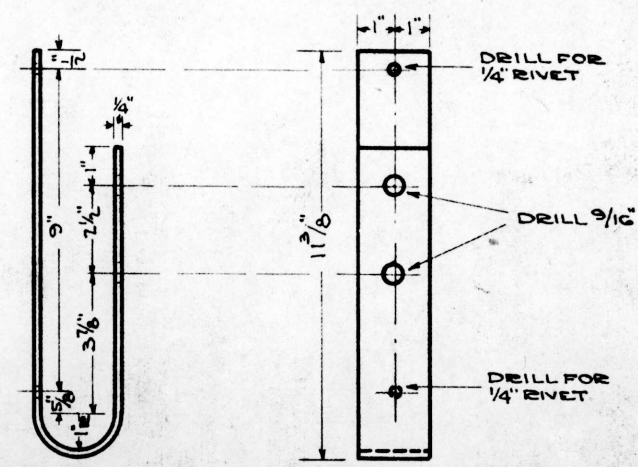


FIG. D - BRACKET
 (1/4" X 2" STRAP IRON)

DRAWN BY <i>J.M.</i>
CHECKED BY <i>P.C.</i>
APPROVED BY <i>[Signature]</i>
SUPT. SIGNALS
1-7-29
167-140