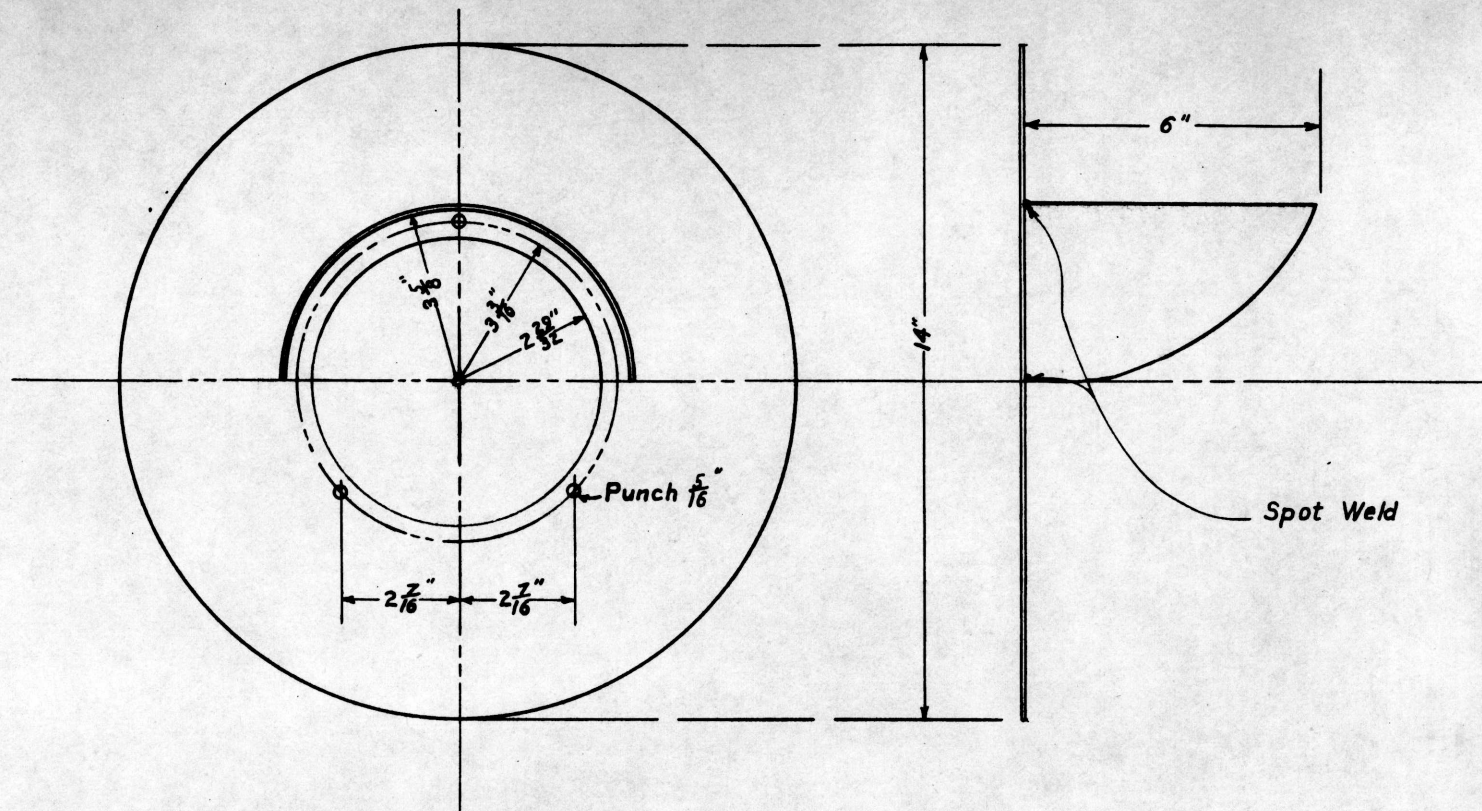


C



Back Ground For Spring Switch Ind. Lamp
 (16 Gauge Sheet Metal)
 "Paint Dull Black"

G. N. RY.
 PLAN OF STANDARD
 OFFICE OF ENGINEER SIGNALS
 ST. PAUL. MINN.

Drawn by	J.P.
Checked by	R.S.T.
Approved by	W.C.O.
Engr. Signal	
MAR 20 1919	
167-147A	