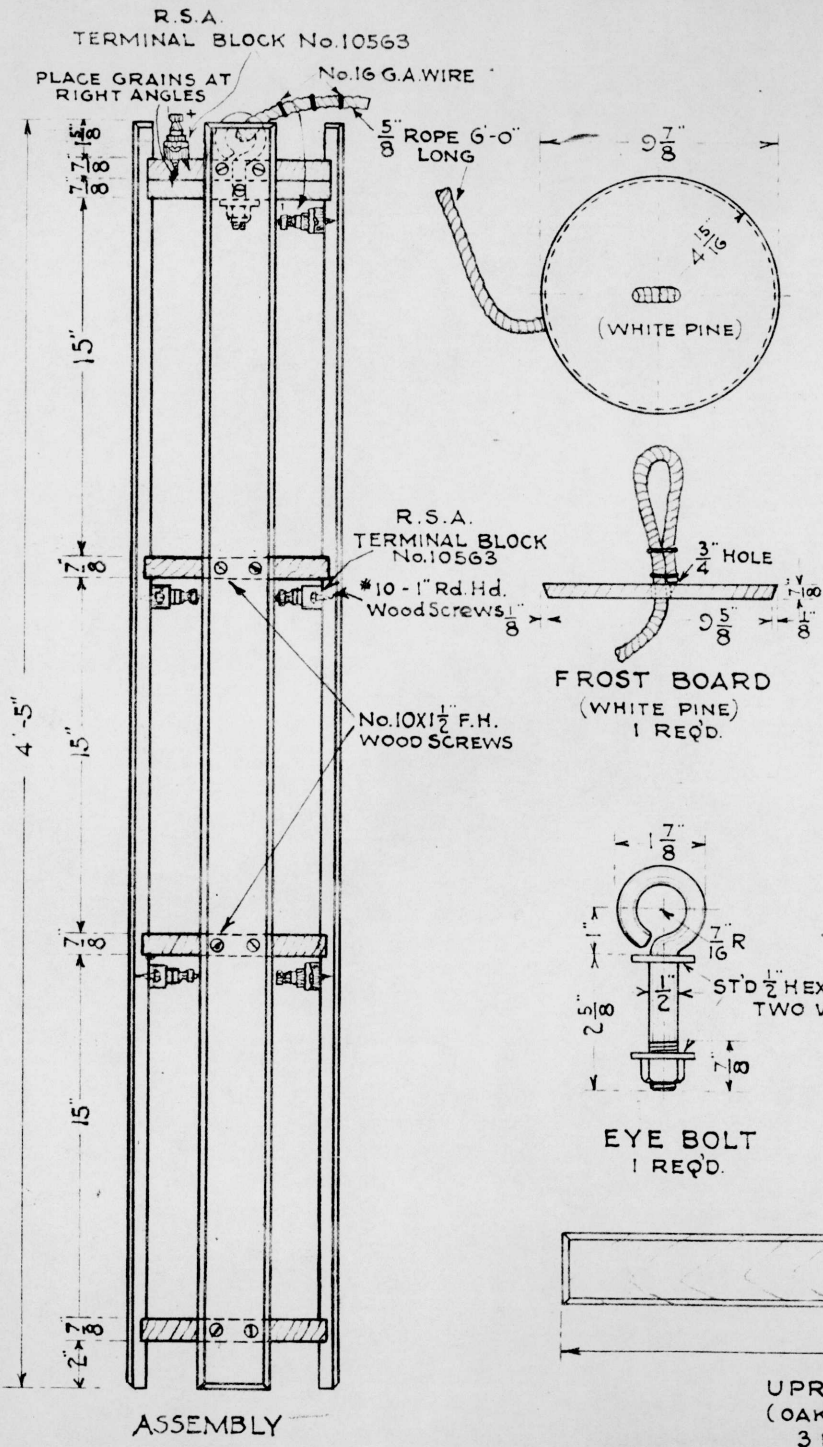


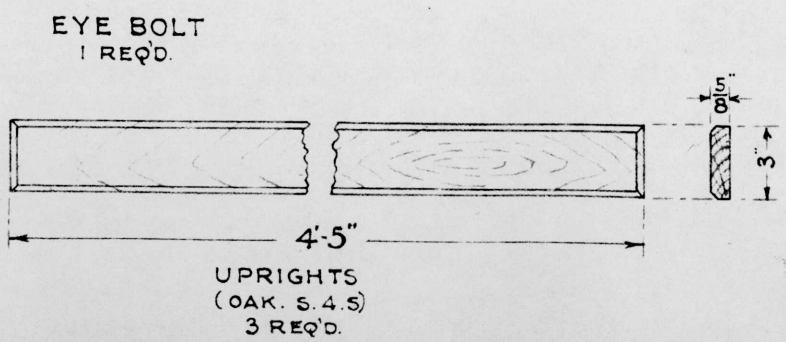
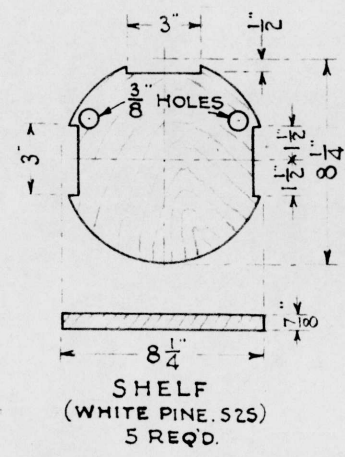
C



G. N. RY.
 PLAN OF STANDARD
3-CELL BATTERY ELEVATOR
 OFFICE OF SIGNAL ENGINEER
 SCALE 1 1/2" = 1' FEB. 1916

Note "A"
 Spacing between shelves
 change from 13 1/2" to 15"

NOTE "B" USE NO. 9 SOLID WIRE BETWEEN TERMINALS AND NO. 16 STRANDED WIRE FROM TERMINAL BLOCKS TO POSITIVE CELL TERMINAL.



Drawn by *Hat*
 Checked by *Yes*
 Approved by *CAS*
 Signal Engr.

FEB 5, 1916

SEE NOTE B
 JAN. 4, 23

AUG. 6, 18
 See Note A

REVISED

167-27-A