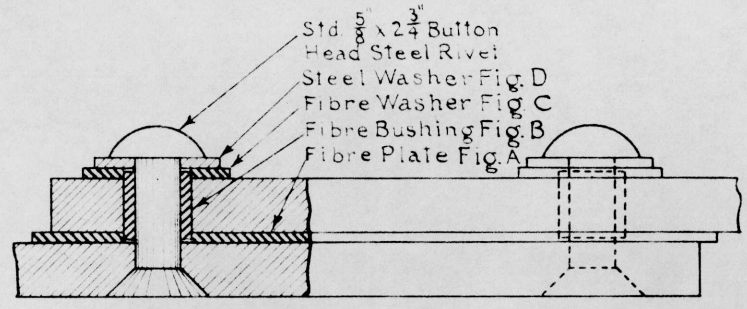
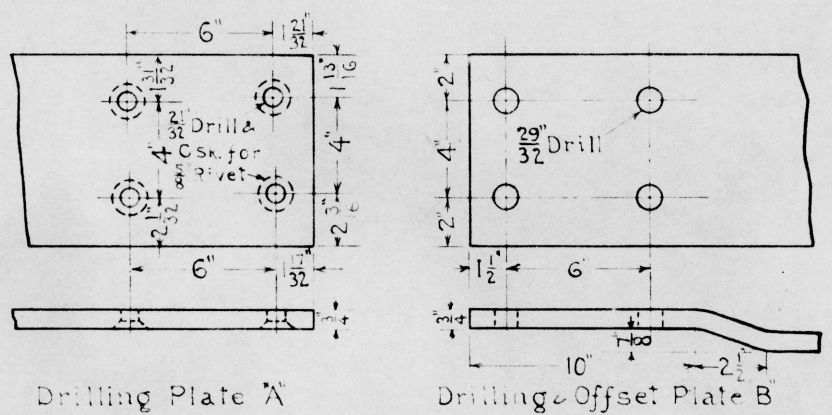
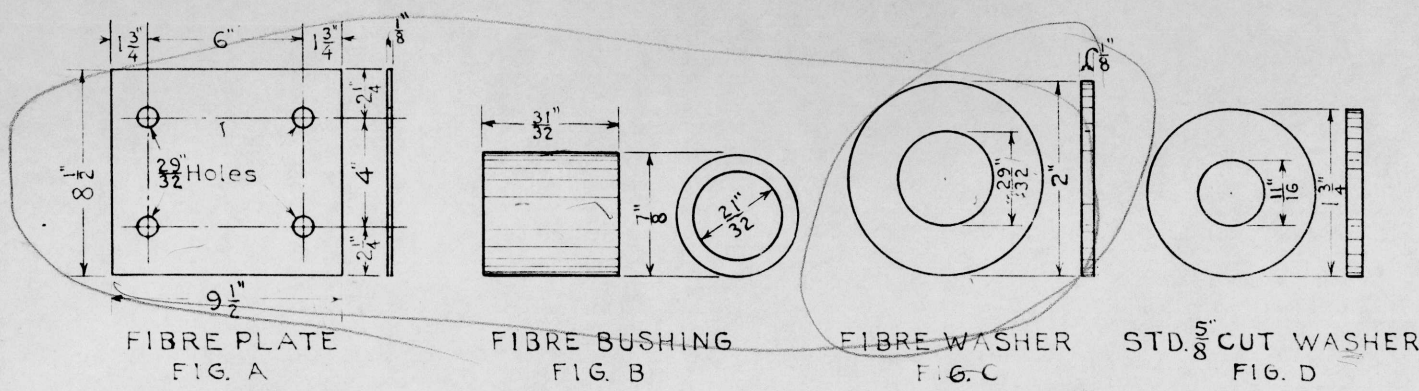


A

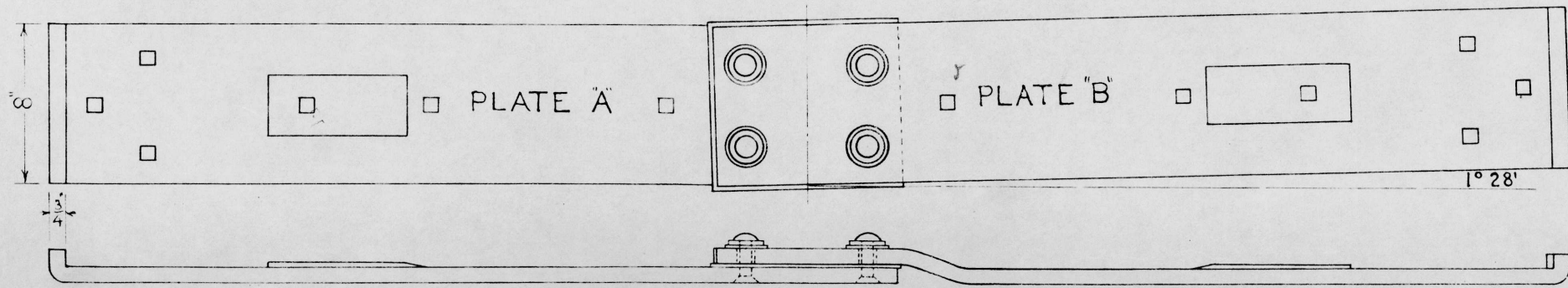
G. N. RY.
 PLAN OF STANDARD
LAP JOINT
GAUGE PLATE INSULATION
 OFFICE OF SUPT. OF SIGNALS ST. PAUL, MINN.
 SCALE VARIOUS JUNE 1931



Assembly of Insulated Gauge Plate Lap Joint

NOTE: Offset of 1° 28' to comply with Standard Gauge Plate.

Sharp Edges And Burrs To Be Removed From Holes in Steel Plates



3/4" X 8" Insulated Gauge Plate For Hand Throw Switch
 (For Details of Plate See Engineering Departments Plans)

Drawn by *RS*
 Checked *CB*
 Approved *CS*
 Supt. of Sig.
 Nov. 15-1931
 167-30B

GNRHS Archives 2018