

G. N. RY.

PLAN OF STANDARD
CLAMPS FOR 6" PIPE AND
BASE OF GROUND SIGNAL

OFFICE OF SIGNAL ENGINEER

SCALE $\frac{1}{4}$ IN. = 1 IN.

DECEMBER 1917

BILL OF MATERIAL
FIG. E. CLAMP COMPLETE
FOR 6" PIPE.

- 1 Front Half Fig. A
Pattern No. R. 3937
- 1 Back Half Fig. B
Pattern No. R. 3979
- 2 $\frac{3}{4}$ " x 7" Std. Sq. Hd. Bolts with
4 Hex. Nut & Lock Washers.

FIG. F. CLAMP COMPLETE
FOR BASE OF GROUND SIGNAL.

- 1 Front Half Fig. C
Pattern No. R. 3936
- 1 Back Half Fig. D
Pattern No. R. 3978
- 2 $\frac{3}{4}$ " x 7" Std. Sq. Hd. Bolts
with Hex. Nuts & Lock
Washers.

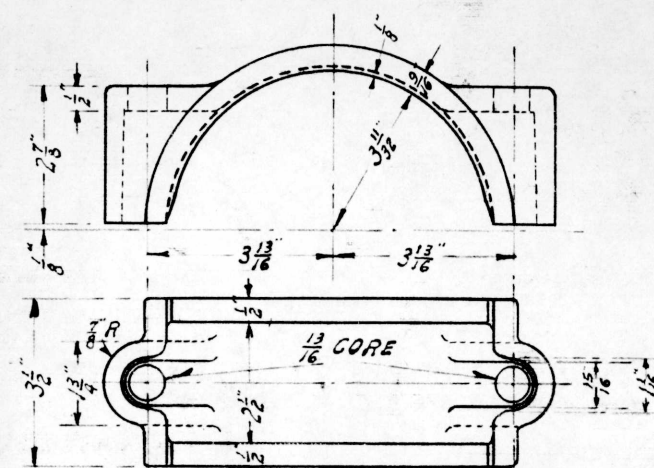


Fig. B
Back Half for 6" Pipe
(Malleable Iron)

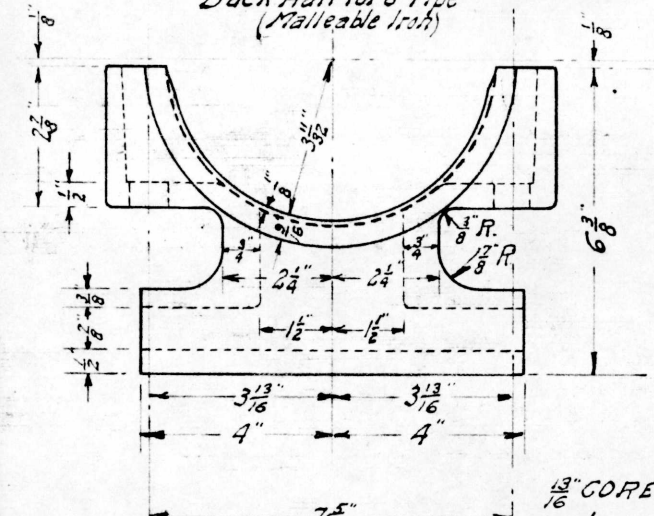


Fig. A
Front Half for 6" Pipe
(Malleable Iron)

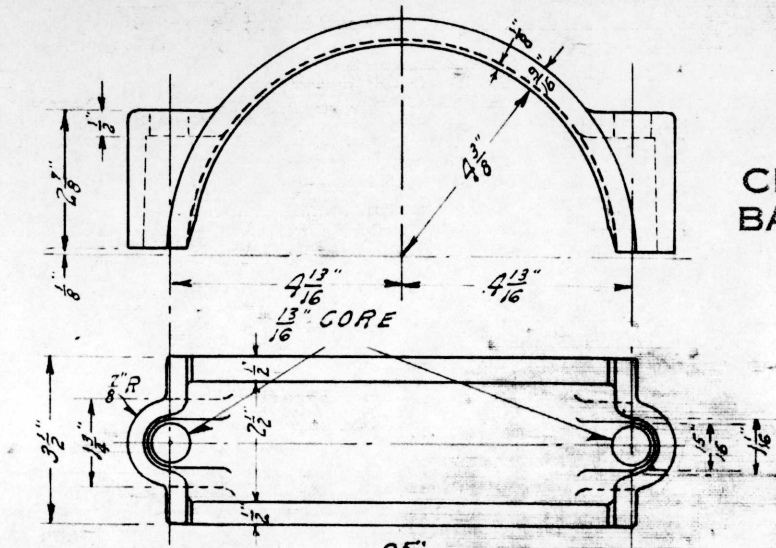


Fig. D
Back Half for Signal Base
(Malleable Iron)

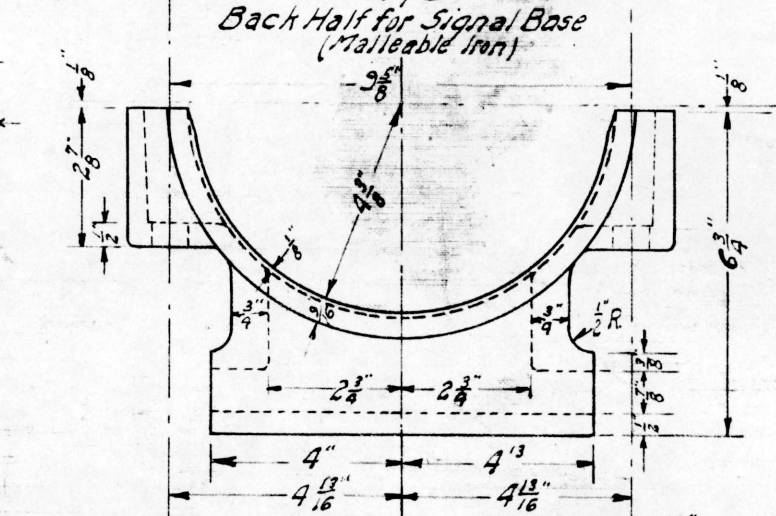


Fig. C
Front Half for Signal Base
(Malleable Iron)

Drawn by: A.P.H.
Checked by: J.P.R.
Approved by: G.N.R.
Signal Engr.
12-17-17

167-57