

C

G. N. RY.

PLAN OF STANDARD
1-WAY VERTICAL CRANK STAND
12" HIGH

OFFICE OF SIGNAL ENGINEER

SCALE 1/4" IN. = 1 IN.

DEC 20 1917

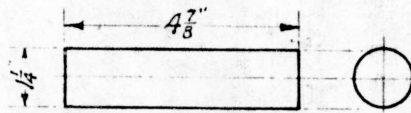
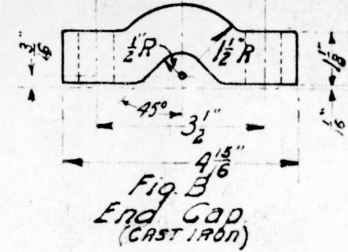
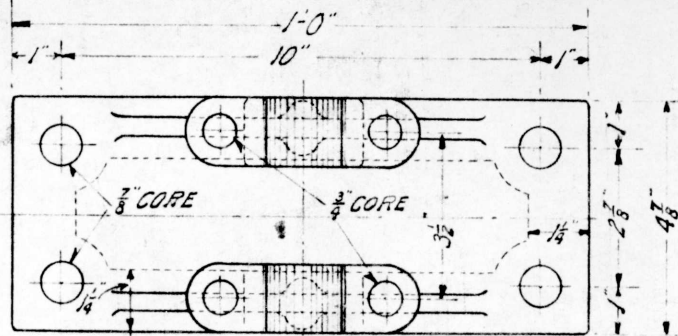


Fig. C
Pin
(CR. STEEL)

Bill of Material - Fig. D	
1- Crank Stand - Fig. A - Pattern No. R3930	
2- End Gaps - Fig. B - " " R3932	
1- Pin - Fig. C	
1- 9"x9" Crank	R.S.A. 10075
4- 5/8" x 3 1/4" Sq. Hd. Bolts with Hex. Nut and Lock Washers.	

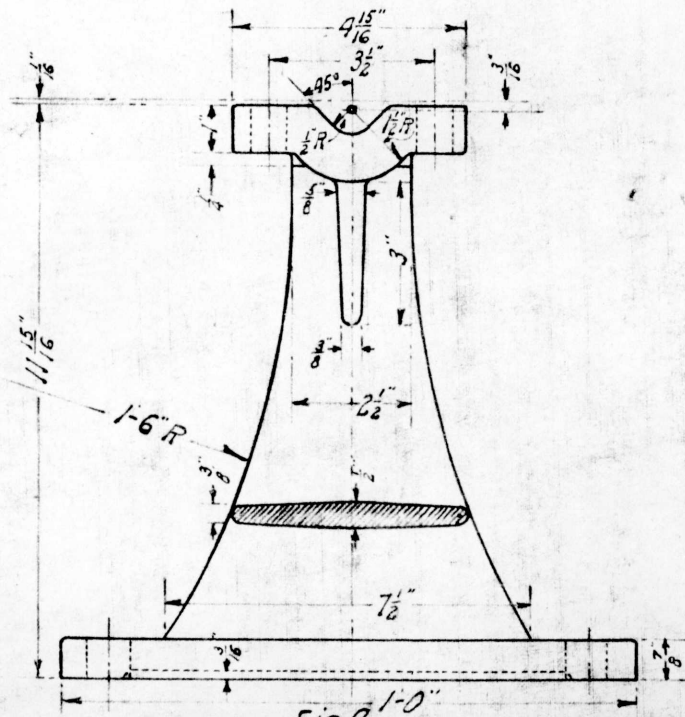
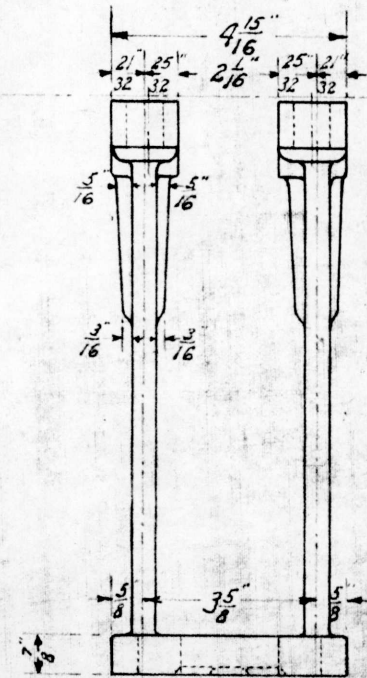


Fig. A
1-Way Vertical Crank Stand
(CAST IRON)

Pin.



5/8" x 3 1/4" Sq. Hd. Bolt
with Hex. Nut & Lock Washer

Bill of Material for Fig. E
Same as for Fig. D less 9"x9"
crank.

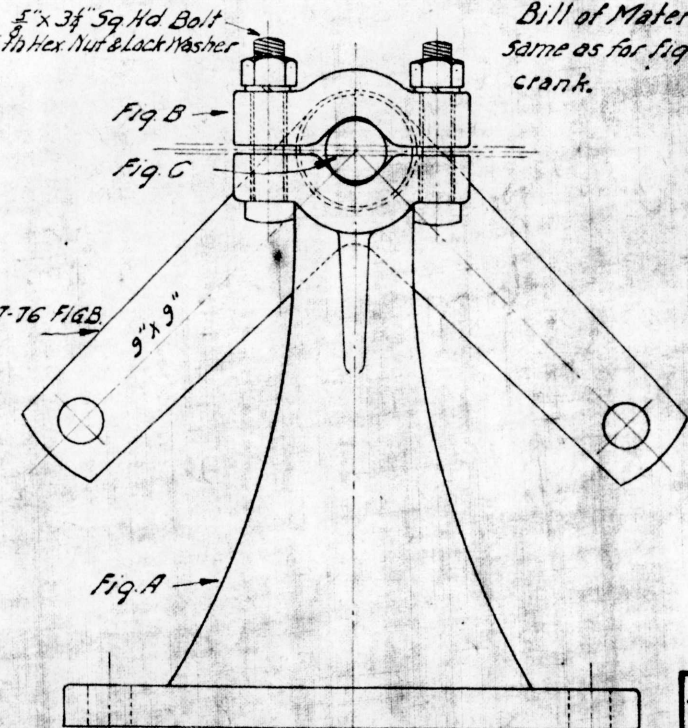


Fig. D
Assembly

Fig. E - Equals Fig. D. less 9"x9" Crank

Drawn by A.A.H.
Checked by J.H.R.
Approved by C.S.
Signal Engr.
12-20-17

167-64A