

Fig. A. CRANK STAND
(Cast Iron)
Pattern No. R-3924.

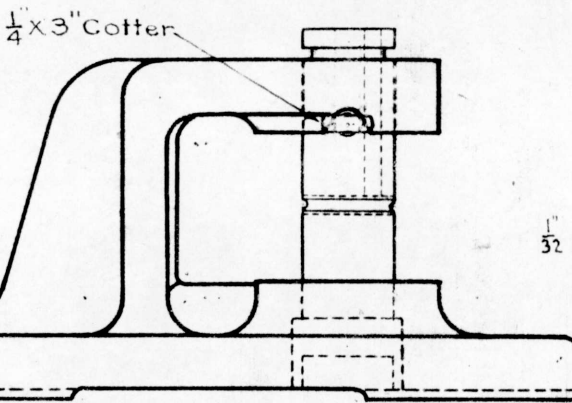
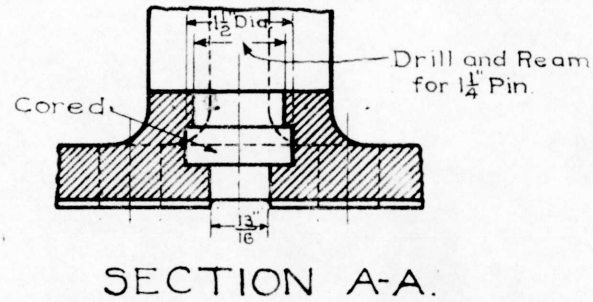


Fig. C. ASSEMBLY

G. N. R. R.
PLAN OF STANDARD
ONE - WAY HORIZONTAL CRANK STAND
OFFICE OF SIGNAL ENGINEER

SCALE 3/8 IN. = 1 IN.

JUNE 1910

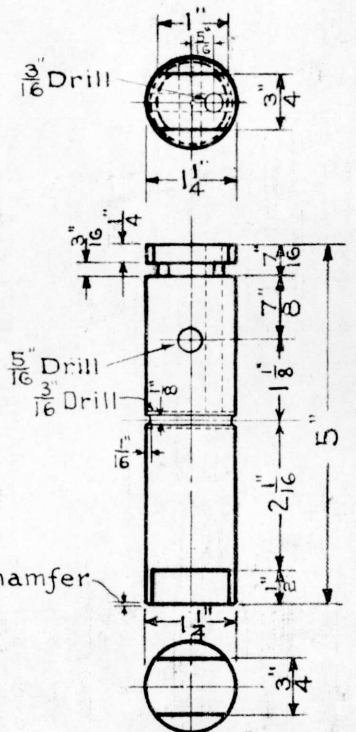


Fig. B. - PIN
(C.R. Steel)

Drawn by R.A.
Checked by R.S.
Approved by E.D.
Signal Eng'r

Oct. 22-31
Revised

6-18-19
167-71