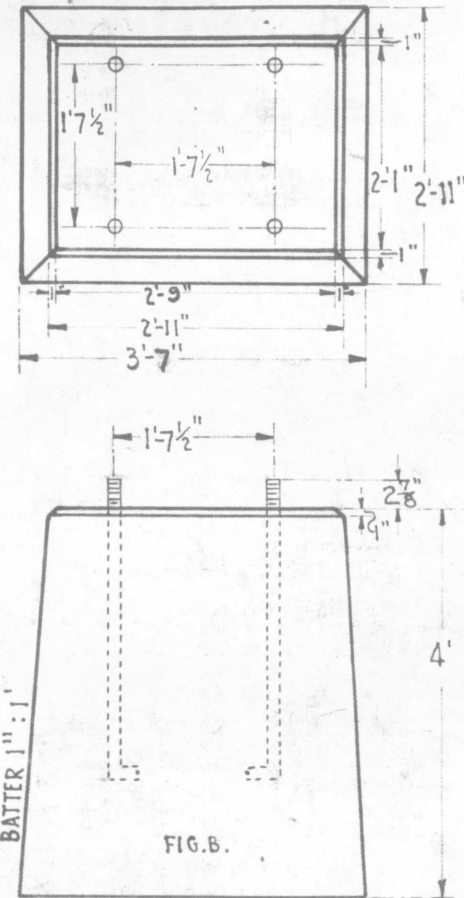
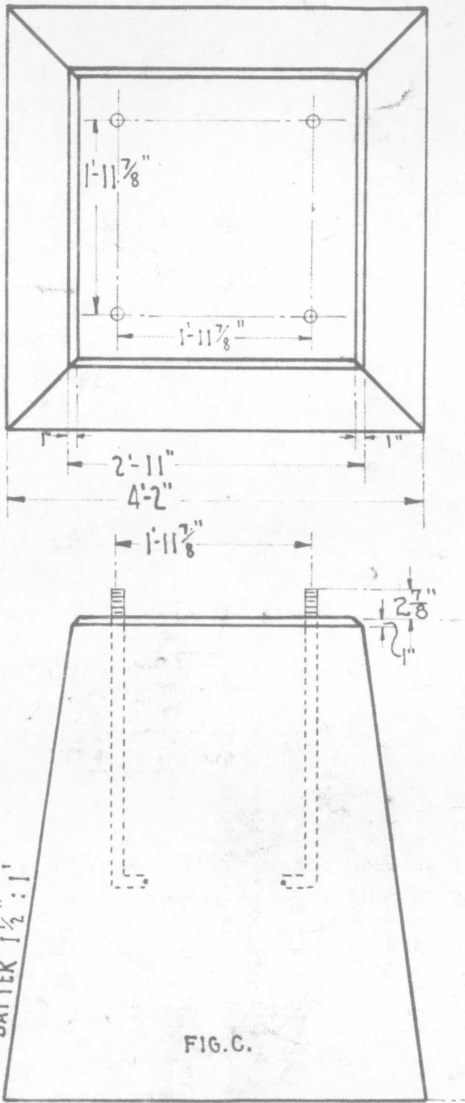


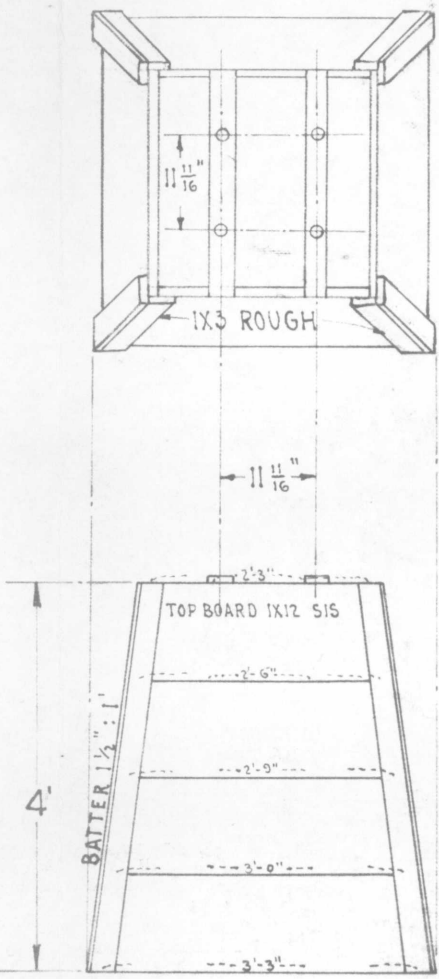
FOUNDATION FOR GROUND SIGNAL
LIGHT TYPE.



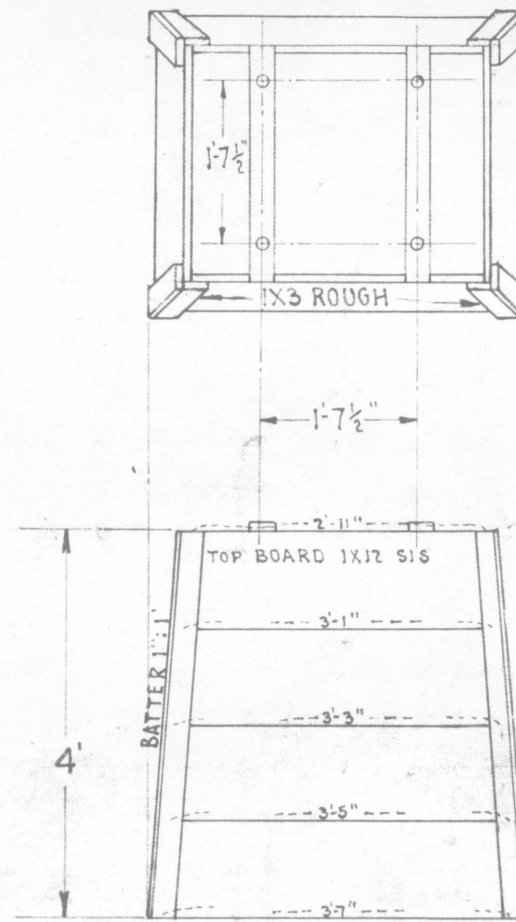
FOUNDATION FOR INSTRUMENT CASE
LIGHT TYPE.
SINGLE CASE.



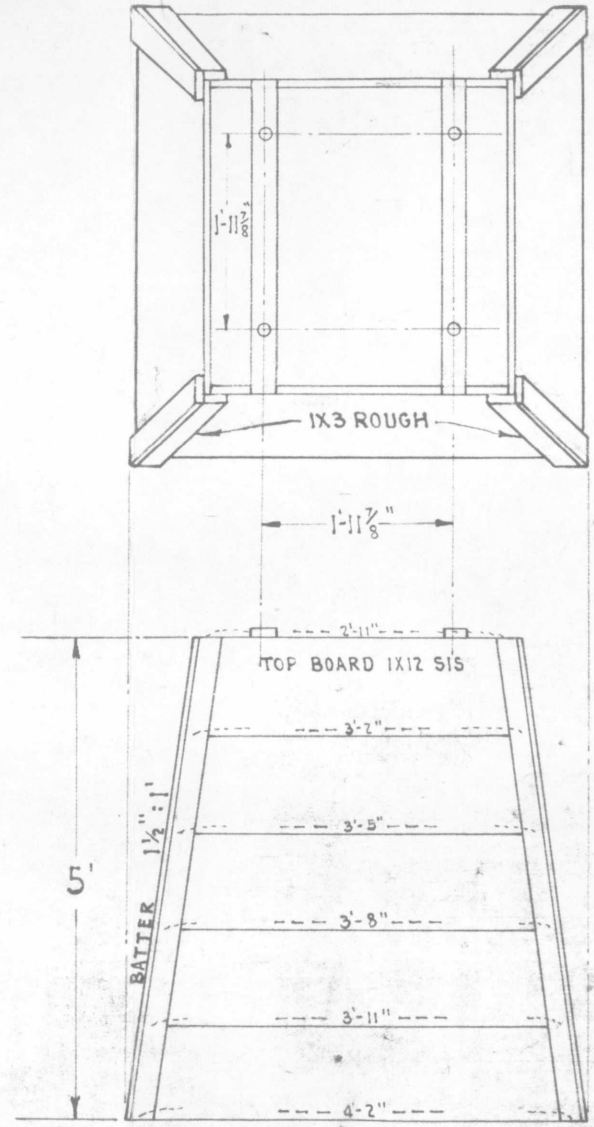
FOUNDATION FOR INSTRUMENT CASE
SEMAPHORE TYPE.
DOUBLE CASE.



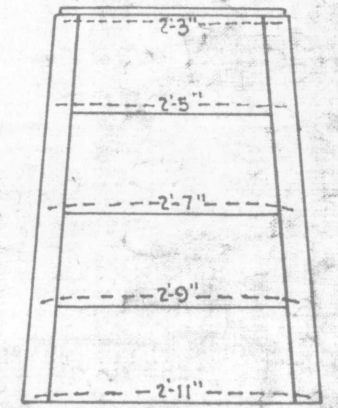
FOUNDATION FORM FOR FIG. A.



FOUNDATION FORM FOR FIG. B.



FOUNDATION FORM FOR FIG. C.



SIDE VIEW FORM FOR FIG. B.

NOTE: FOUNDATION BOLTS 167-19 FIG. B.

NOTE: ADD 2" TO FRONT BOARD DIMENSIONS TO OBTAIN CORRESPONDING SIDE BOARD DIMENSIONS FOR FIG. A AND FIG. C.

G. N. RY.
PLAN OF STANDARD
SIGNAL FOUNDATIONS AND FORMS
OFFICE OF SIGNAL ENGINEER ST. PAUL, MINN.
NO SCALE
FEB. 1923

DRAWN BY
CHECKED BY
APPROVED BY
SIGNAL ENGINEER
FEB. 26 '23.
167-80A