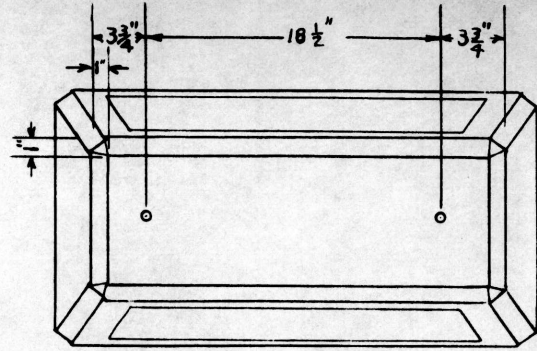
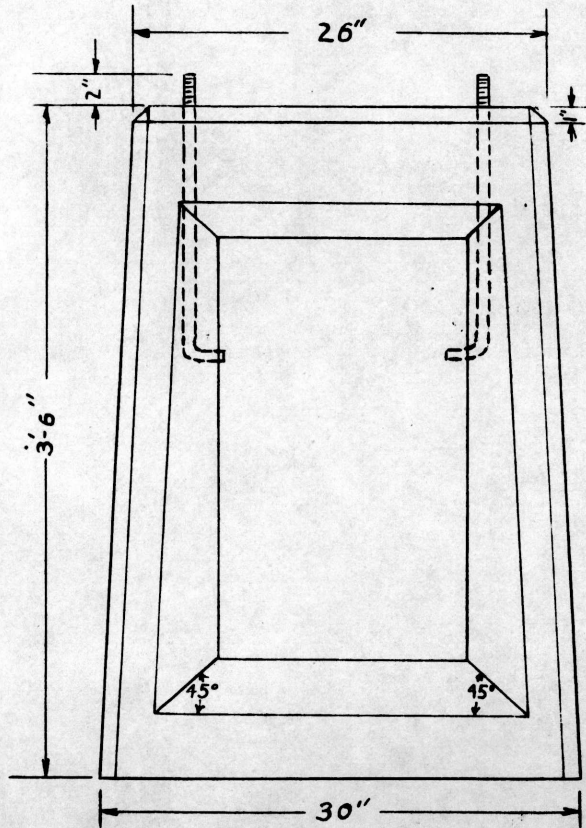


A

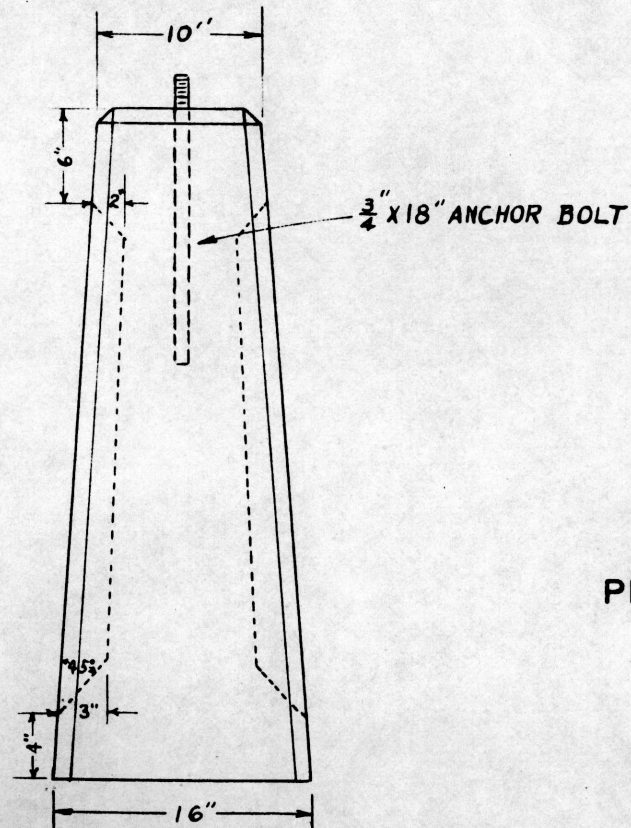
NOTE:
1" BEVEL ON EDGES & TOP



TOP VIEW



SIDE VIEW



END VIEW

G. N. RY.
 PLAN OF STANDARD
 CONCRETE FOUNDATION
 PIER FOR LARGE CASE
 OFFICE OF ENGINEER SIGNALS
 ST. PAUL, MINN.

.28 CU. YD.
812 LBS.

Drawn by	M.H.
Checked by	JRT
Approved by	PSJ
Eng'r Signals	
JULY 28, 1952	
167 - 80G	