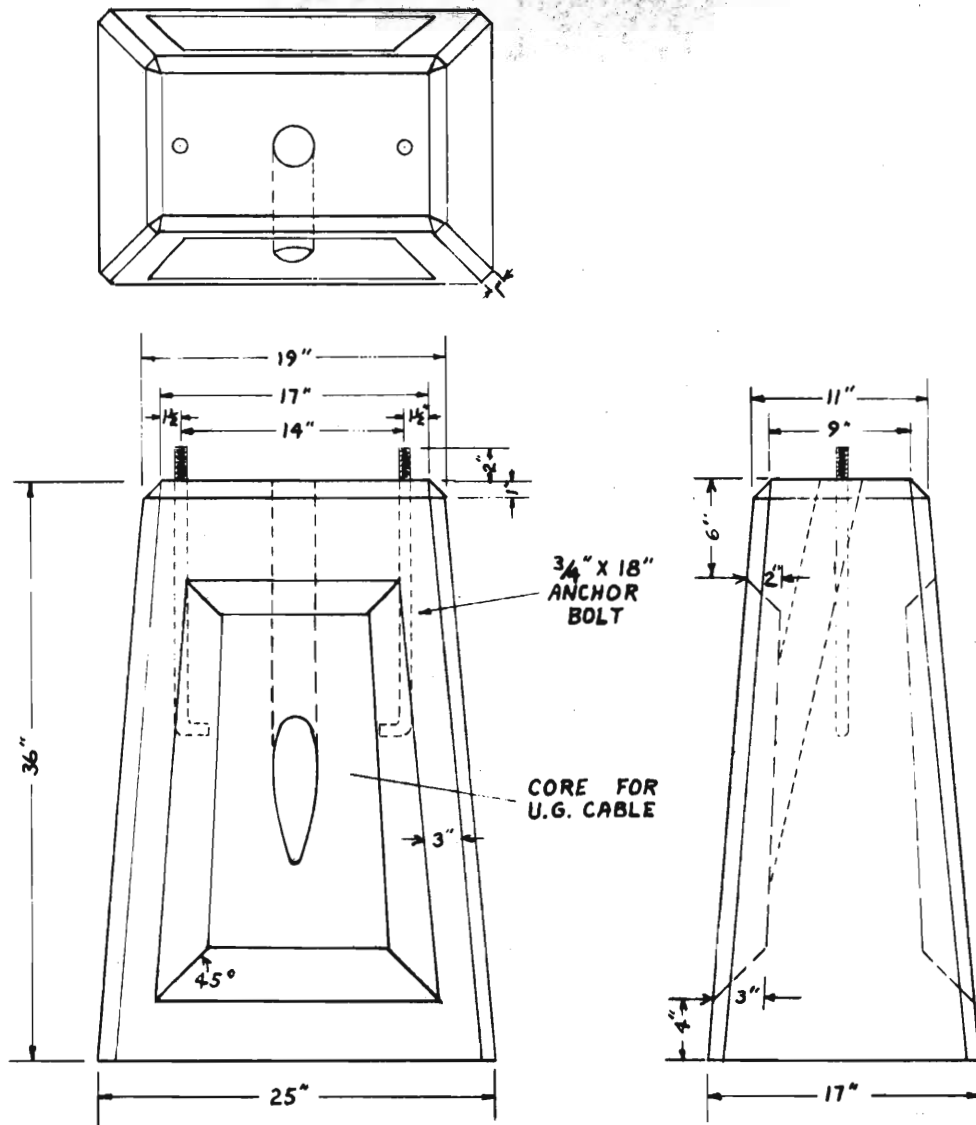


A



G.N.R.Y.
PLAN OF STANDARD
CONCRETE FOUNDATION
FOR DWARF SIGNAL

OFFICE OF ENGINEER SIGNALS
NOV. 19, 1953
REV. 12-2-55

Drawn by *BE*
Checked by *RET*
Approved by *RET*
Eng'r Signals

167 - 101